

Brass Art

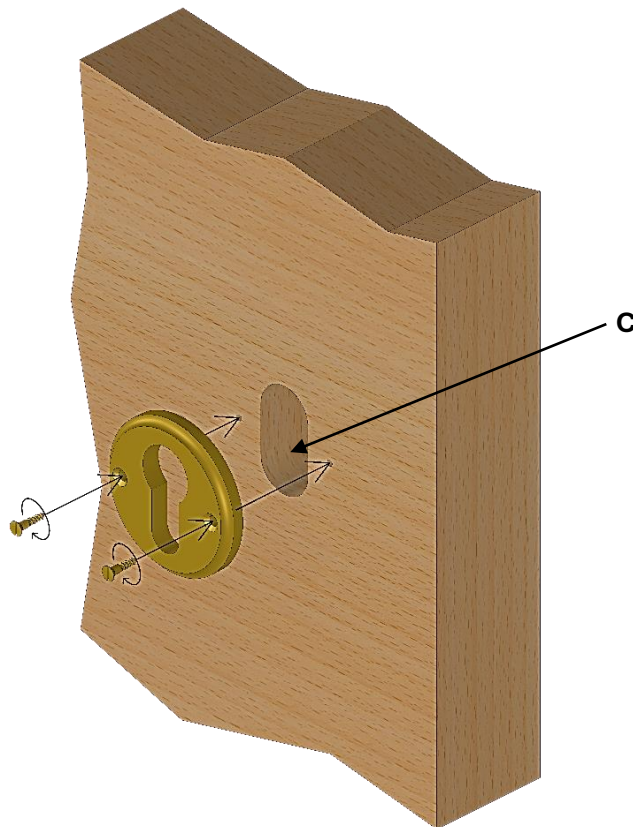
— DISTINCTLY BRITISH —

FITTING INSTRUCTIONS ESCUTCHEONS

IMPORTANT NOTES BEFORE FITTING

- Ensure you have tools suitable for correct installation, these include a tape measure, pencil, screwdriver, drill, drill bits, spirit level, set-square.
- Always double check measurements before drilling any holes or pilot holes.
- Where necessary pre-drill pilot holes before drilling to avoid cracking or splitting of mounting surfaces.
- Do not remove any protective film from the product until it has been correctly fitted.
- If a fitting template is supplied, please ensure this is used to ensure accurate fitting.

FACE FIXED (Product & Diagram for illustration purposes only)



1. Mark the Position
 - Decide where you want the product to be fitted. If the lock and/or cylinder are already installed, this is the position where the key-hole sits (Part C).
 - With a pencil mark the position of the screw holes.
2. Drill the Pilot Holes:
 - Drill a small 2mm pilot hole in the positions marked in the previous step. These should be a maximum of 10mm deep.

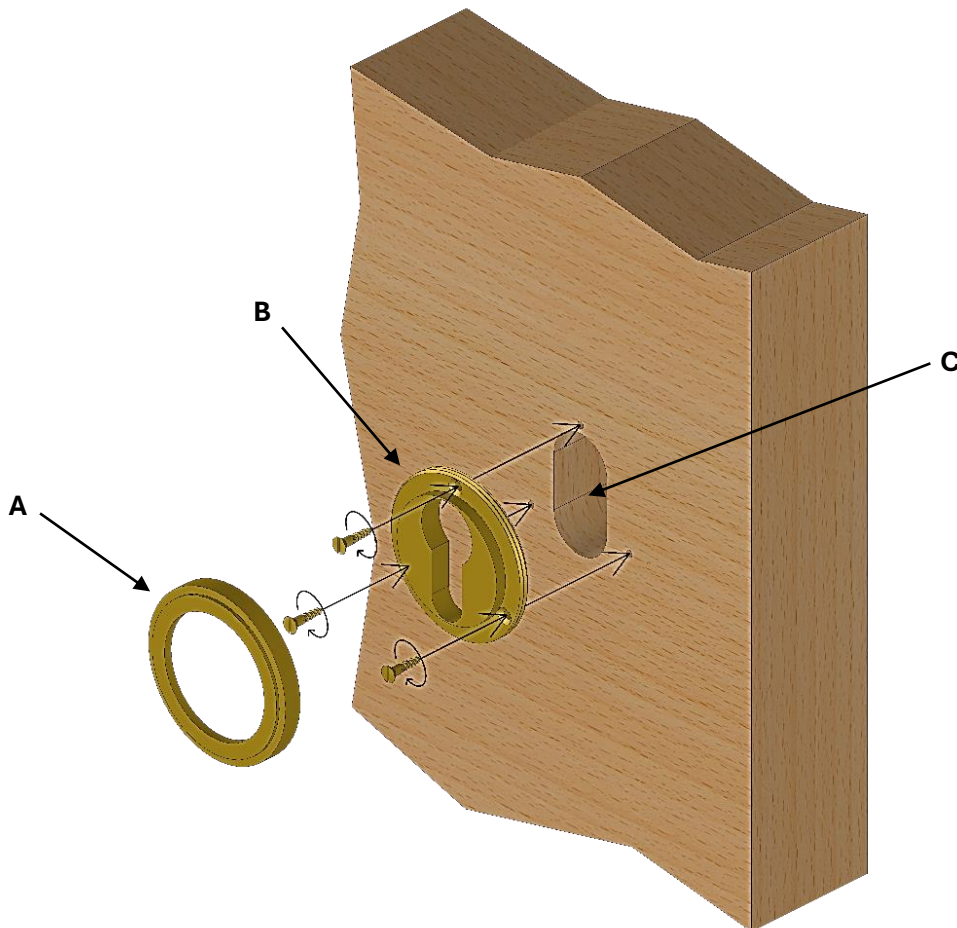
3. Fit the Product:

- Using a screwdriver, fix the screws through the product into the mounting surface and tighten securely.
- Ensure the product is firmly attached but avoid overtightening to prevent damage to the mounting surface.

4. Check & Adjust:

- Test the escutcheon by pulling gently to ensure it is secure.
- If necessary, tighten or reposition for the best fit.

CONCEALED FIX (Product & Diagram for illustration purposes only)



1. Mark the Position:

- Remove the outer-rose (Part A) from the inner-rose (Part B) by turning anti-clockwise until it detaches.
- Decide where you want the product to be fitted. If the lock and/or cylinder are already installed, this is the position where the key-hole sits (Part C).
- With a pencil mark the position of the screw holes.

2. Drill the Pilot Holes:

- Drill a small 2mm pilot hole in the positions marked in the previous step. These should be a maximum of 10mm deep.

3. Fit the Product:

- Using a screwdriver, fix the screws through the inner-rose into the mounting surface and tighten securely.
- Ensure the product is firmly attached but avoid overtightening to prevent damage to the mounting surface.
- Re-attached the outer-rose to the inner-rose by turning clockwise until it is securely fixed.

4. Check & Adjust:

- Test the escutcheon by pulling gently to ensure it is secure.
- If necessary, tighten or reposition for the best fit.

These instructions are to assist in the fitting of your escutcheon. In certain instances, additional carpentry work may be required in order to install your hardware – In these cases it is important to seek professional or expert advice. If you are unsure about any aspect of these instructions please feel free to contact us for further basic guidance, however please be aware that we do not offer a fitting service and we do not accept responsibility for any associated costs incurred in the fitting of these products.

Our terms and conditions of sale can be viewed here: <https://brassart.com/terms-conditions/>