

Brass Art

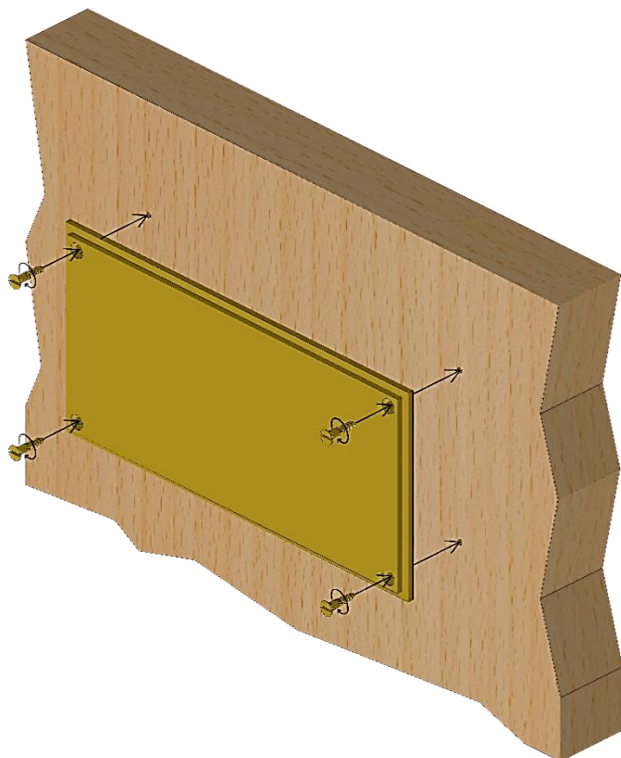
— DISTINCTLY BRITISH —

FITTING INSTRUCTIONS ENTRANCE DOOR ACCESSORIES

IMPORTANT NOTES BEFORE FITTING

- Ensure you have tools suitable for correct installation, these include a tape measure, pencil, screwdriver, drill, drill bits, spirit level, set-square.
- Always double check measurements before drilling any holes or pilot holes.
- Where necessary pre-drill pilot holes before drilling to avoid cracking or splitting of mounting surfaces.
- Do not remove any protective film from the product until it has been correctly fitted.
- If a fitting template is supplied, please ensure this is used to ensure accurate fitting.

FACE FIXED (Product & Diagram for illustration purposes only)



1. Mark the Position:
 - Decide where you want the product to be fitted.
 - Use a measuring tape and pencil to mark the correct position on the mounting surface. Alternatively, offer the product up to the surface and mark the position through the fixing holes with a pencil.
2. Drill the Hole:
 - Choose a drill bit that matches the diameter of the screws. Note that there may be different size screws or bolts for each part of the product.
 - Drill a hole in the marked positions to the depth of the screws provided.

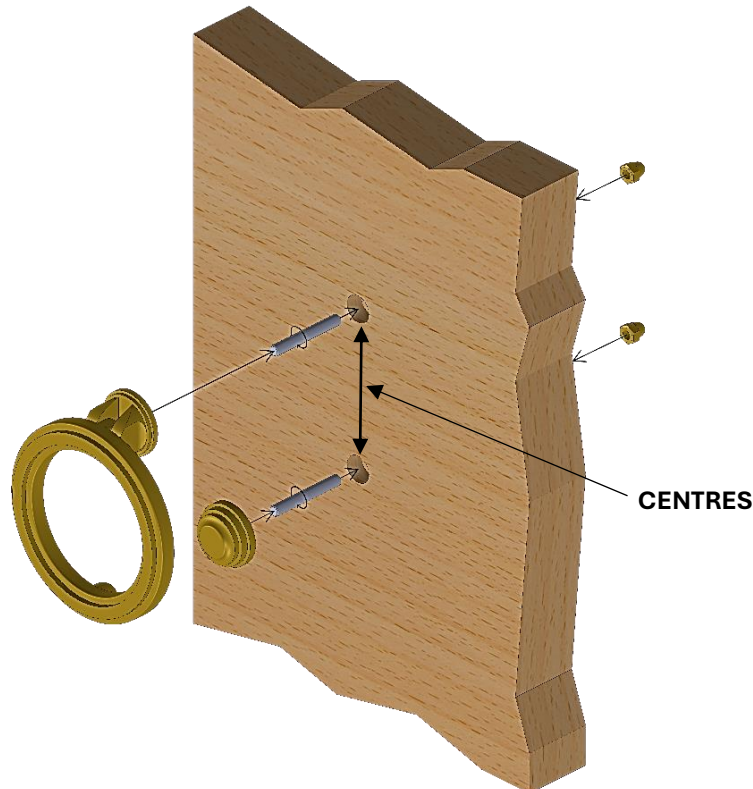
3. Fit the Product:

- Hold the product in place over the holes drilled, being sure that it is level.
- Using a screwdriver, fix the screws through the front of the product and into the mounting surface.
- Ensure the product is firmly attached but avoid overtightening to prevent damage to the mounting surface.

4. Check & Adjust:

- Test the product by trying to move it gently to ensure it is secure.
- If necessary, loosen, re-position and re-tighten for the best fit.

BOLT-THROUGH (Product & Diagram for illustration purposes only)



1. Mark the Position:

- Decide where you want the product to be fitted.
- Use a measuring tape and pencil to mark the centres on the door – This is the distance between the top bolt and the bottom bolt.

2. Drill the Hole:

- Choose a drill bit that matches the diameter of the bolts. Note that there may be different size bolts for each part of the product.
- Drill a hole through the mounting surface at the marked positions.

3. Fit the product:

- Push the bolt through the hole from the inside of the door. Note that door thicknesses vary so you may need to cut the bolt down to size to ensure a correct fit.
- Align each part of the product with the protruding bolt on the front of the door.
- Screw the bolts into the product by hand.

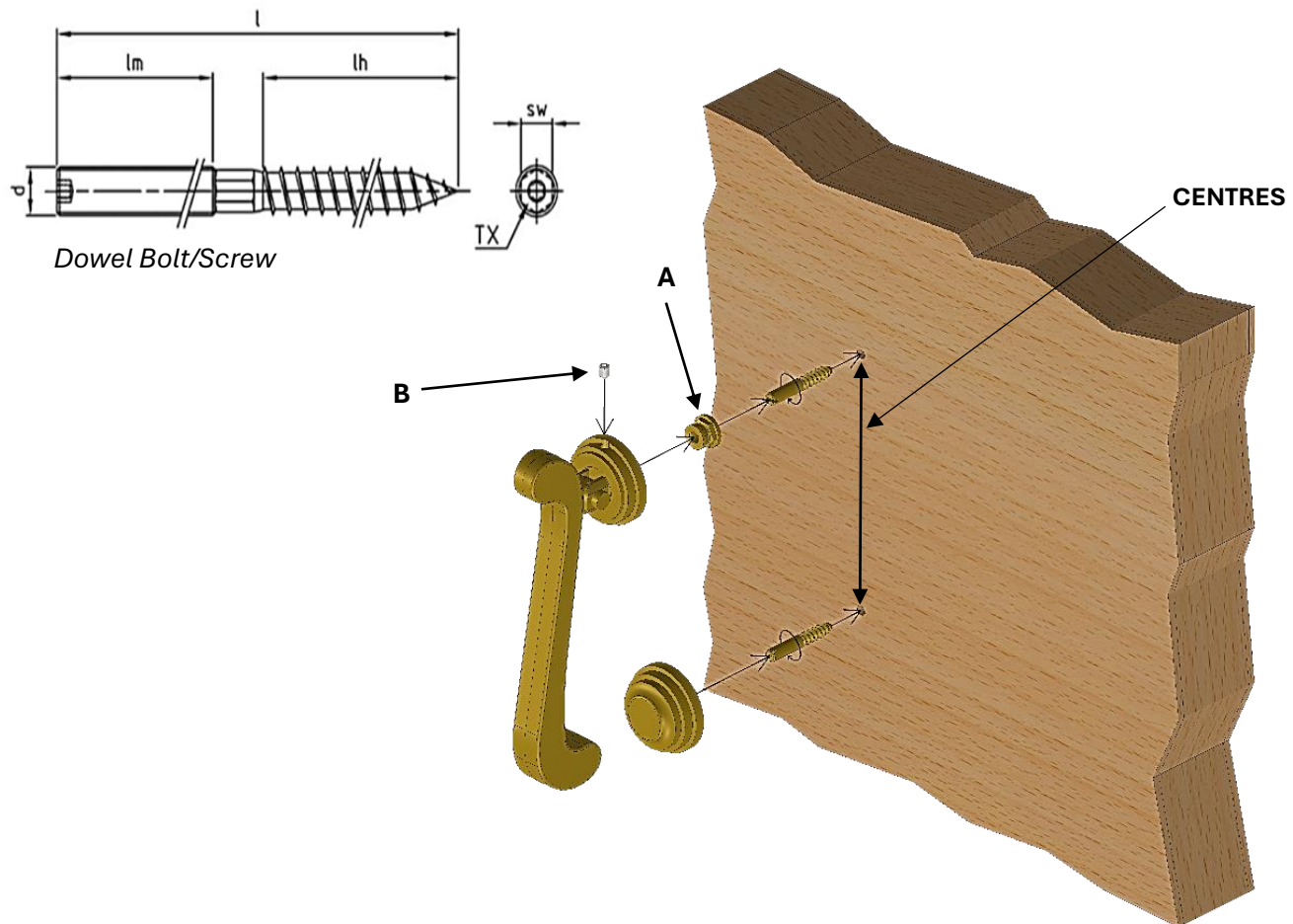
4. Tighten Securely:

- Ensure the product is firmly in place and level and using a screwdriver tighten securely but avoid overtightening as this may damage the mounting surface.

5. Check & Adjust:

- Test the product by pulling and twisting to ensure it is secure.
- If necessary, loosen, re-position and re-tighten for the best fit.

CONCEALED FIX (Diagram for illustration purposes only)



1. Mark the Position:
 - Decide where you want the product to be placed.
 - Use a measuring tape and pencil to mark the centres on the door – This is the distance between the top bolt and the bottom bolt.
2. Drill the Hole:
 - Choose a drill bit that matches the diameter of the dowel bolt/screw. Note that there may be different size bolts for each part of the product.
 - Drill a hole in the marked positions to the correct depth – This should be the same length as the tapered part of the dowel bolt/screw (marked as 'lh' in the Dowel Bolt/Screw diagram).
3. Fix the Bolts:
 - Using a screwdriver, screw the dowel bolt/screw into each of the holes to the correct depth
 - Ensure the bolt is firmly fixed but avoid overtightening to prevent damage to the mounting surface.
4. Fit the Product:
 - Screw the locking collar (Part A) provided onto the upper bolt fitted in the step above, ensuring the hexagonal nut shape is adjacent to the door face.
 - Using a hacksaw, cut any surplus bolt protruding from the end of the locking collar.
 - Place the top of the product over the locking collar.
 - Insert the grub screw provided (Part B) into the hole at either the top or the bottom of the base and tighten fully – Be sure to use the correct size allen key or screw-driver bit to avoid rounding off the grub screw head.
 - If applicable, screw the bottom base on to the lower bolt fitted in the step above.
 - Ensure the product is firmly in place and level but avoid overtightening as this may damage the mounting surface.

5. Check & Adjust:

- Test the product by pulling and twisting to ensure it is secure.
- If necessary, loosen, re-position and re-tighten for the best fit.

These instructions are to assist in the fitting of your entrance door accessory product. In certain instances, additional carpentry work may be required in order to install your hardware – In these cases it is important to seek professional or expert advice. If you are unsure about any aspect of these instructions please feel free to contact us for further basic guidance, however please be aware that we do not offer a fitting service and we do not accept responsibility for any associated costs incurred in the fitting of these products.

Our terms and conditions of sale can be viewed here: <https://brassart.com/terms-conditions/>