

Brass Art

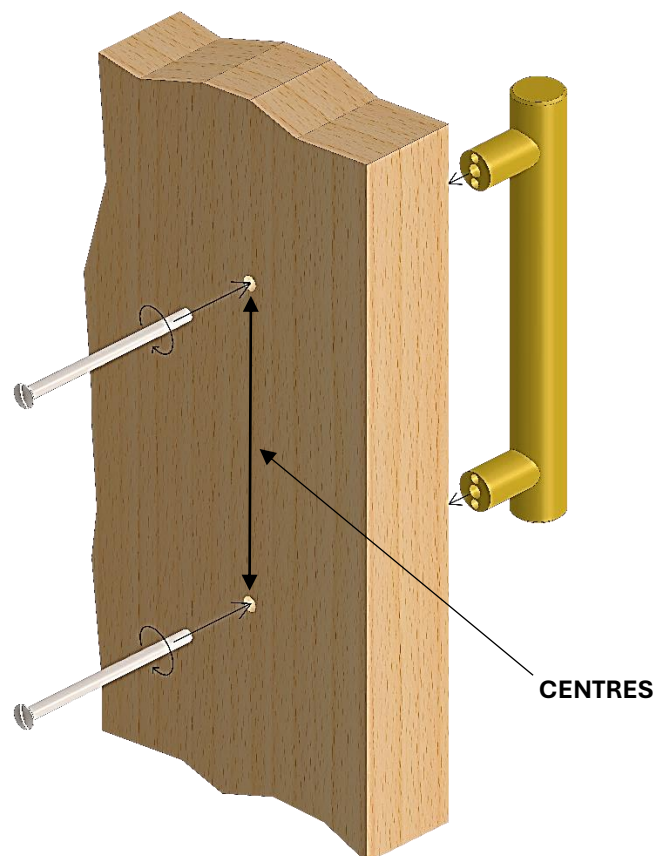
— DISTINCTLY BRITISH —

FITTING INSTRUCTIONS DOOR PULL HANDLES

IMPORTANT NOTES BEFORE FITTING

- Ensure you have tools suitable for correct installation, these include a tape measure, pencil, screwdriver, drill, drill bits, spirit level, set-square.
- Always double check measurements before drilling any holes or pilot holes.
- Where necessary pre-drill pilot holes before drilling to avoid cracking or splitting of mounting surfaces.
- Do not remove any protective film from the product until it has been correctly fitted.
- If a fitting template is supplied, please ensure this is used to ensure accurate fitting.

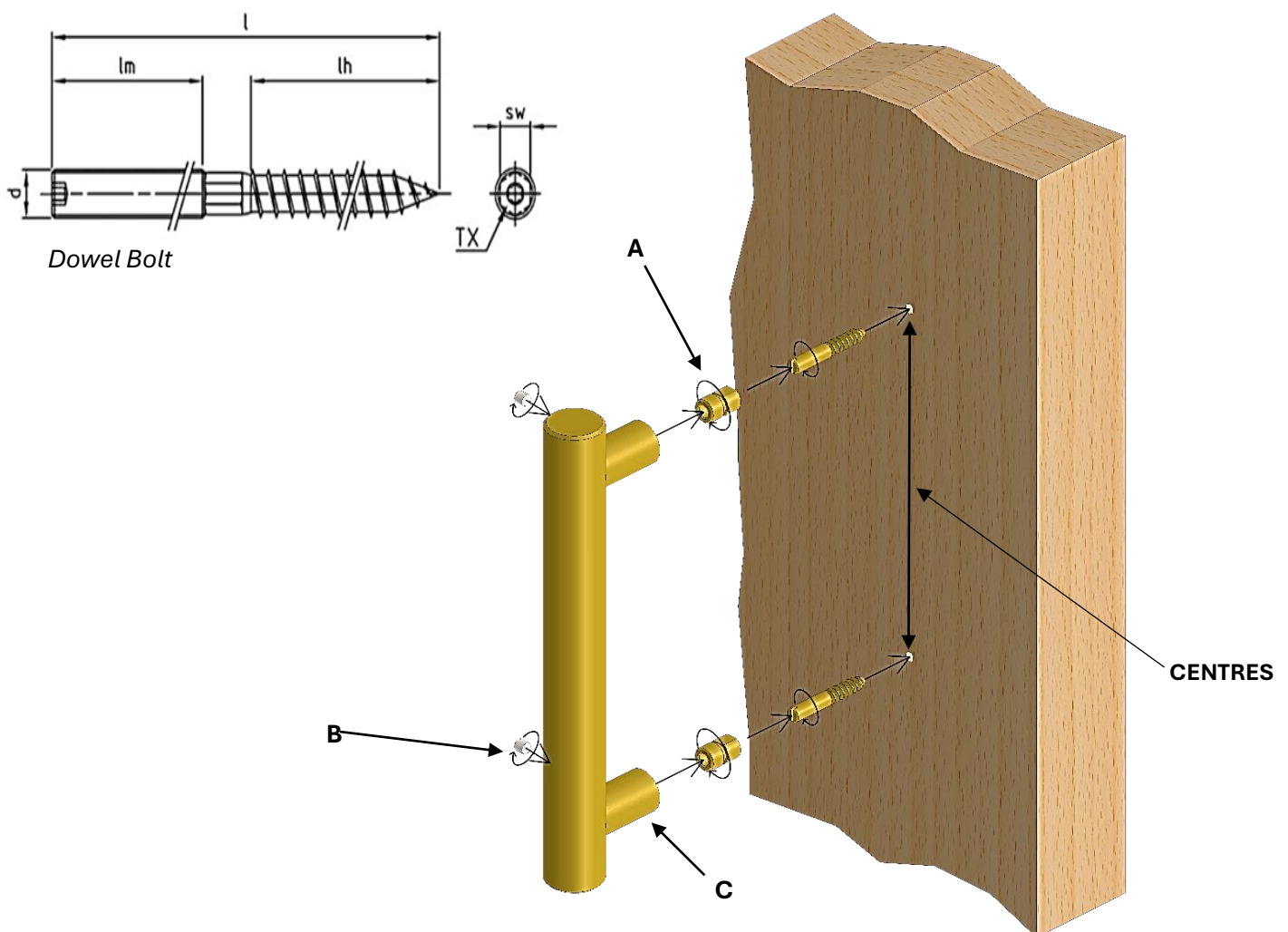
BOLT-THROUGH (Product & Diagram for illustration purposes only)



1. Mark the Position:
 - Decide where you want the product to be placed.
 - Use a measuring tape and pencil to mark the centres on the door. This is the distance between the upper and lower bolt that attach the product to the door.
2. Drill the Holes:
 - Choose a drill bit that matches the diameter of the bolts.

- Drill a hole straight through the marked positions from the front to the back.
3. Attached the Product:
- Push the bolt through the hole from the inside of the door. Note that you may need to trim the bolt to size – Doors have different depths, and the bolt is supplied to ensure it is suitable for all doors.
 - Align each part of the product with the protruding bolt on the front of the door.
 - Screw the bolts into the product by hand.
4. Tighten Securely:
- Ensure the product is firmly in place and level and using a screw driver tighten securely but avoid overtightening as this may damage the mounting surface.
5. Check & Adjust:
- Test the product by pulling and twisting to ensure it is secure.
 - If necessary, loosen re-position and re-tighten for the best fit.

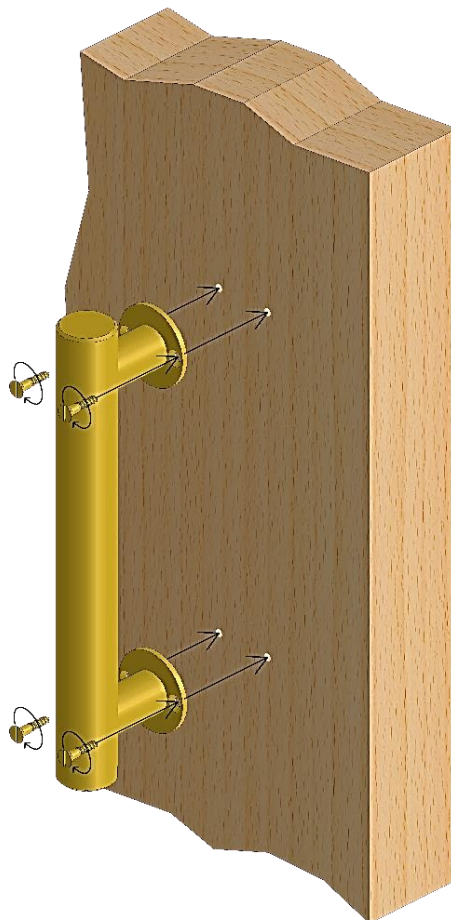
CONCEALED FIX (Product & Diagram for illustration purposes only)



1. Mark the Position:
- Decide where you want the product to be placed.
 - Use a measuring tape and pencil to mark the centres on the door. This is the distance between the upper and lower bolt that attach the product to the door.
2. Drill the Holes:
- Choose a drill bit that matches the diameter of the dowel bolts. Note that there may be different size bolts for each part of the product.

- Drill a hole in the marked positions to the correct depth – This should be the same length as the tapered part of the bolt, marked as 'lh' in the Dowel Bolt diagram above.
3. Fix the Bolts:
 - Using a screwdriver, screw the bolts into each of the holes drilled in the previous step to the correct depth.
 - Ensure the bolt is firmly fixed but avoid overtightening to prevent damage to the mounting surface.
 4. Attach the Product:
 - Screw the locking collars (Part A) provided onto the upper and lower bolts fitted in the step above, ensuring the hexagonal nut shape is adjacent to the door face.
 - Using a hacksaw, cut any surplus bolt protruding from the end of the locking collar.
 - Place the product over the locking collar at either end.
 - Insert the grub screws (Part B) provided into the hole, which may be on the side or bottom of the legs (Part C), at either end of the product and tighten fully – Be sure to use the correct size allen key or screw-driver bit to avoid rounding off the grub screw head.
 - Ensure the product is firmly in place and level but avoid overtightening as this may damage the mounting surface.
 5. Check & Adjust:
 - Test the product by pulling and twisting to ensure it is secure.
 - If necessary, loosen re-position and re-tighten for the best fit.

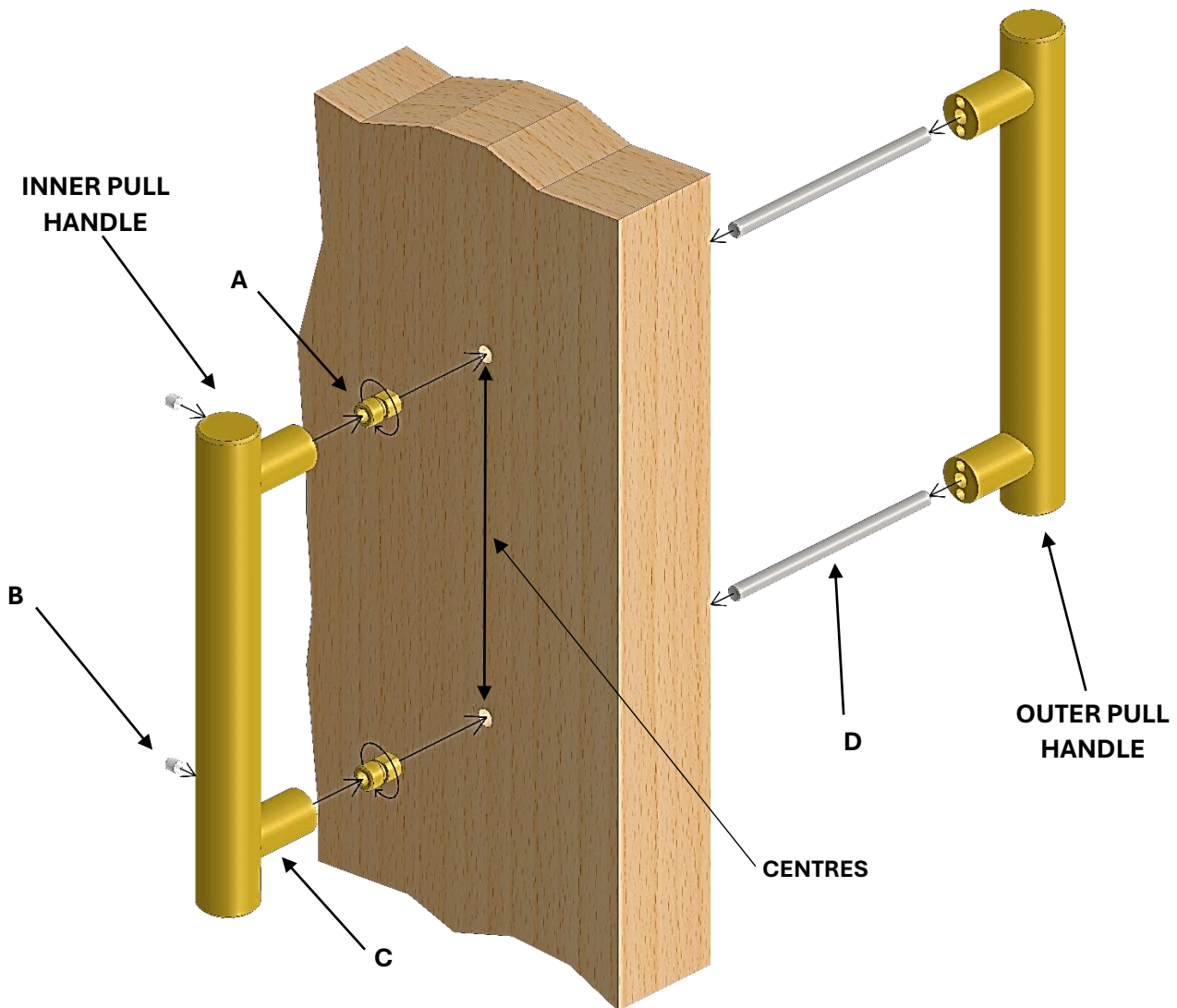
FACE FIXED (Product & Diagram for illustration purposes only)



1. Mark the Position:
 - Decide where you want the product to be placed.

- Use a measuring tape and pencil to mark the correct position on the door. Alternatively, offer the product up to the surface and mark the position through the fixing holes with a pencil.
2. Drill The Holes:
 - Choose a drill bit that matches the diameter of the screws supplied.
 - Drill a hole in the positions marked in the previous step.
 3. Attached the Product:
 - Using a screwdriver, fix the screws through the front of the product and into the mounting surface.
 4. Tighten Securely:
 - Ensure the product is firmly attached but avoid overtightening to prevent damage to the mounting surface.
 5. Check & Adjust:
 - Test the product by trying to move it gently to ensure it is secure.
 - If necessary, loosen re-position and re-tighten for the best fit.

BACK-TO-BACK FIX (Product & Diagram for illustration purposes only)



1. Mark the Position:
 - Decide where you want the product to be fitted. Note that the Outer Pull Handle would normally be fitted to the outside of the door (externally) as a security feature because the Outer Pull Handle can't be removed once fitted. If the pull handles are fitted to an

internal door then the orientation of the Inner and Outer is not important – They can be fitted either side of the door.

- Use a measuring tape and pencil to mark the centres on the door. This is the distance between the upper and lower bolt that attach the product to the door, and each other.
2. Drill the Holes:
 - Choose a drill bit that matches the diameter of the bolts adjoining each of the pull handles.
 - Drill a hole in the marked positions to the correct depth and from the front to the back of the door.
 3. Position the Outer Pull Handle:
 - Offer the Outer Pull Handle up to the door and slide the pre-fitted bolts (Part D) through the holes drilled in the previous step.
 4. Connect the Inner Pull Handle:
 - Screw the locking collars (Part A) provided onto the upper and lower bolts on the opposite side of the door to the Outer Pull Handle, ensuring the hexagonal nut shape is adjacent to the door face.
 - Using a hacksaw, cut any surplus bolt protruding from the end of the locking collar.
 - Place the Inner Pull handle over the locking collar at either end.
 - Insert the grub screws (Part B) provided into the hole, which may be on the side or bottom of the legs (Part C), at either end of the product and tighten fully – Be sure to use the correct size allen key or screw-driver bit to avoid rounding off the grub screw head.
 - Ensure the product is firmly in place and level but avoid overtightening as this may damage the mounting surface.
 5. Check & Adjust:
 - Test the product by pulling and pushing to ensure it is secure.
 - If necessary, loosen re-position and re-tighten for the best fit.

These instructions are to assist in the fitting of your door pull handle. In certain instances, additional carpentry work may be required in order to install your hardware – In these cases it is important to seek professional or expert advice. If you are unsure about any aspect of these instructions please feel free to contact us for further basic guidance, however please be aware that we do not offer a fitting service and we do not accept responsibility for any associated costs incurred in the fitting of these products.

Our terms and conditions of sale can be viewed here: <https://brassart.com/terms-conditions/>